

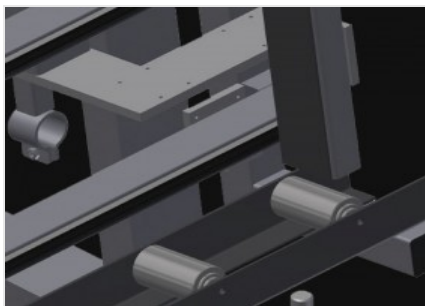


VE 3000/60

Inspection and glazing
units

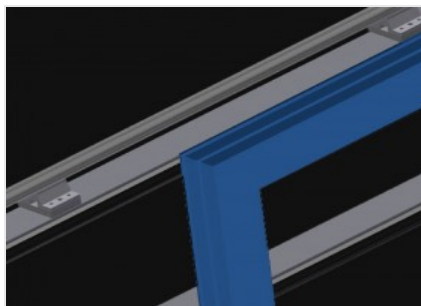


Inspection and glazing unit for glazing and final inspection. Quick and precise assembly of windows, doors and elements. Stable steel construction. Precision ensured through parallel clamping bar pressing technique with manually operated pressing bars. Easy operation by means of foot switch. Pneumatic centring, storage area for tools and 4-fold compressed air supply.



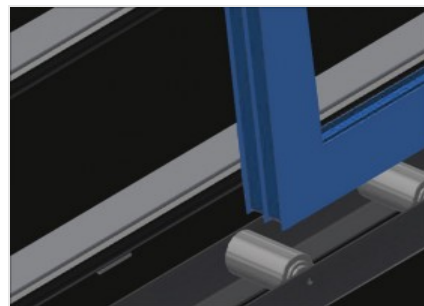
Pressing bar

Pneumatic centring. Precision ensured through parallel clamping bar pressing technique



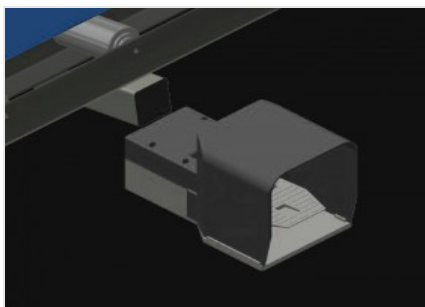
Back support

Rear back support with plastic slide bars



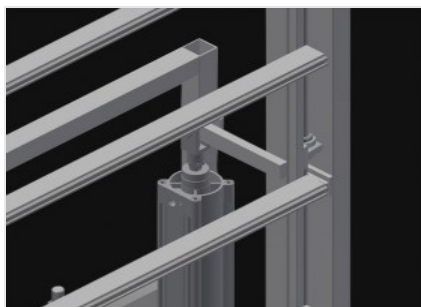
Roller support

Lower roller conveyor with support roller, L = 120 mm



Foot switch

All functions are controlled via foot valves



Height adjustment (Optional)

Height continuously adjustable, L = 500 mm



VE 3000/60 / INSPECTION AND GLAZING UNITS

CHARACTERISTICS

Length (mm)	3.050
Width (mm)	900
Height (mm)	2.600
Maximum clamping width (mm)	2.800
Minimum clamping width (mm)	390
Clamping bar height (mm)	2.300
Clamping bar width (mm)	100
Lower roller conveyor width (mm)	120
Weight (kg)	370
Load capacity (kg)	200
4-fold compressed air supply	●
Operating air pressure (bar)	7
Air consumption approx. (l/min.)	35
Pneumatic centring	●
Storage area for tools	●
Adjustable height	○

Included ● Available ○