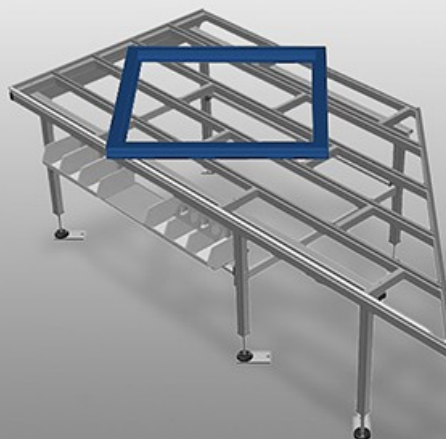




## HT 2045 R

Assembly tables



Horizontal table for all work tasks on frames and sashes. Stable steel construction. Angled work table; can be used as a pass-through in the production line or as a buffer zone. Assembly table for all work tasks on frames and sashes. Table supporting surface with plastic slide bars. Storage tray for setting down tools and accessories. Adjustable height. Simple installation with a modular system design.



**Supporting surfaces**

Supporting surfaces with plastic slide bars



**Storage tray**

Storage tray for setting down tools and accessories



**Height adjustment**

Adjustable height; working height can be set to 850 - 1,000 mm by means of adjustable feet



**Storage area (Optional)**

Storage area with 6 plastic trays for small accessories, hardware and screws



**Brush strip (Optional)**

Supporting surfaces with brush strip



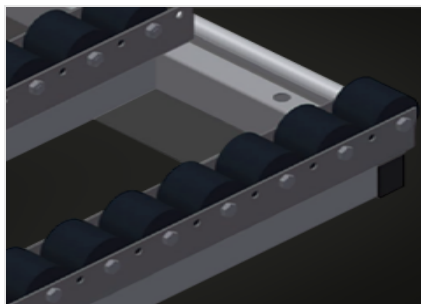
**Felt strip (Optional)**

Supporting surfaces with felt strip



**Rubber strips (Optional)**

Supporting surfaces with rubber-knob profile



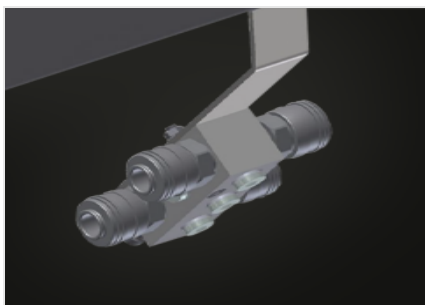
**Roller support cmpl. (Optional)**

Hard plastic rollers with polyamide coating, on plain bearings, load per roller 60 kg, convenient for transport and handling of PVC elements



**Tool rack (Optional)**

Tool rack for pneumatic or electrical tools



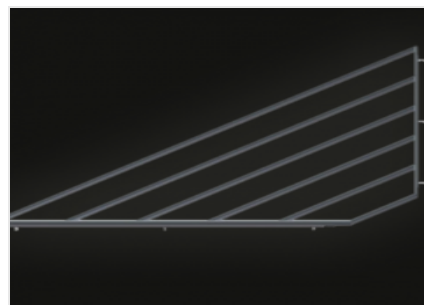
**4-fold compressed air connection (Optional)**

4-fold compressed air connection for connecting compressed-air tools



**Parallelogram support, cmpl., for 90° (Optional)**

The rhomboid support surface is available in versions with plastic sliding strips, brush strips, felt strips, rubber strips or roller support



**Triangle support, cmpl., for in-line use (Optional)**

The triangular support surface is available in versions with plastic sliding strips, brush strips, felt strips, rubber strips or roller support



HT 2045 R / ASSEMBLY TABLES

CHARACTERISTICS

Length (mm)	2.850
Width (mm)	1.300
Height (mm)	850 ± 1.000
Weight (kg)	100
Adjustable height	●
Storage tray for setting down tools and accessories	●
Table supporting surface with plastic slide bars	●
Table brush strip supporting surface	○
Table felt profile strip supporting surface	○
Table rubber knob profile	○
Roller support	○
Tool holder	○
4-fold compressed air supply	○
Storage trays	○
Parallelogram support for 90°	○
Table brush strip supporting surface for parallelogram support	○
Table felt profile strip supporting surface for parallelogram support	○
Table rubber knob profile for parallelogram support	○
Roller support for parallelogram support 90°	○
Triangle support	○
Table brush strip supporting surface for triangle support	○
Table felt profile strip supporting surface for triangle support	○
Table rubber knob profile for triangle support	○
Roller support surface for triangle support	○

Included ● Available ○

Voilàp S.p.A.  
Via Archimede, 10  
41019 - Limidi di Soliera (MO)  
ITALY

Tel 059 895411  
Fax: 059 859404  
P.IVA e C.F. 02057270361  
info@somecopvc.com  
www.somecopvc.com

The right to make technical alterations is reserved.