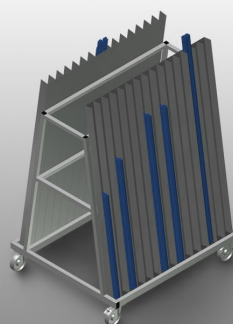


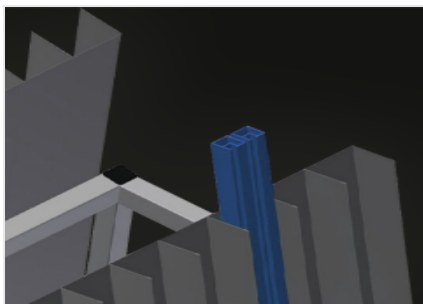


GLW 30

Transport and trolleys

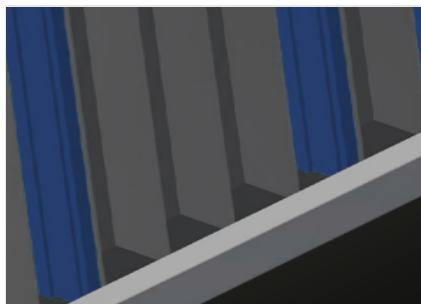


Glazing bead trolley for transportation and sorting of glazing beads. Stable steel construction. Ideal for vertical transportation and sorting of glazing beads. Glazing bead trolley with 30 compartments. 15 compartments per side. Lower supporting surface clad with rubber. Four swivel castors, two of which with locking stop.



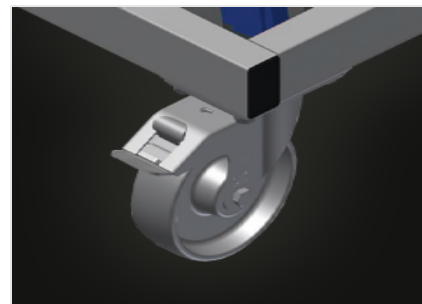
Compartments

15 compartments per side, 30 compartments in total. Compartment width 75 mm, Compartment depth 65 mm, Rear support height 1,500 mm, Rear support angle: 8°



Lower supporting surface

Lower supporting surface clad with rubber



Castors

Four casters, two of which have a fixing brake, provide a high degree of mobility and easy, safe handling



GLW 30 / TRANSPORT AND TROLLEYS

DIMENSION AND WEIGHT

Length (mm)	1.185
Width (mm)	1.000
Height (mm)	1.660
Weight (kg)	80

STORAGE CAPACITY

Compartments	30
Compartments per side	15
Compartment width (mm)	75
Compartment depth (mm)	65
Load capacity (kg)	350

CHARACTERISTICS

Swivel castors	4
Swivel castors with locking stop	2
Swivel castors diameter (mm)	125

Included ● Available ○