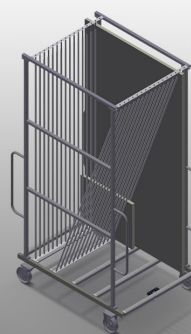


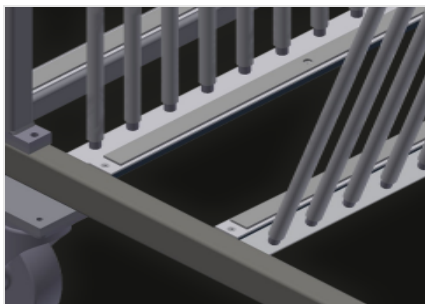


GFW 15

Transport and trolleys



Stable steel construction. Glass sorting. For in-house transportation of sheets of glass. Compartment dividers for 15 sheets of glass. Access is possible from both sides. The glass supporting surface has a rubber profile. Compartment divider with plastic protector. Transport handle on both sides for mobility. Two castors and two fixed rollers.



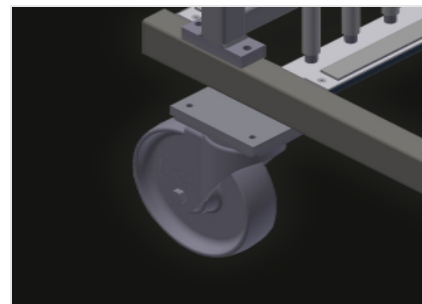
Supports

Lower supporting surfaces equipped with rubber profile to protect the sheets of glass from damage



Compartment divider with plastic protector

All supporting surfaces have a non-slip PVC cladding which protects the sheets of glass from damage during storage



Castors, cmpl.

Two castors and two fixed rollers provide mobility in all directions. Roller diameter 200 mm



CHARACTERISTICS

Length (mm)	1.810
Width (mm)	1.300
Height (mm)	3.020
Compartments	15
Compartment width (mm)	44
Compartment height (mm)	2.600
Weight (kg)	255
Load capacity (kg)	750
Castors diameter (mm)	200

Included ● Available ○