

VR 3003 DF

Vertical Rollers Conveyors



Stable steel construction. Vertical roller conveyor for smooth transportation to the next work task as well as for transportation to storage and sorting of the finished windows. Easy handling of window elements. Every roller conveyor unit is 3.000 mm long. Plastic slide bars top and bottom. Three mini-roller conveyors with rubber rollers, diameter 50 mm. Basic unit with end rack. Vertical roller conveyor on rails with flanged rollers, mobile. Roller conveyor can be rotated 360°. Options: rail, 2.0 m, left and right; end stop for VR; lead-in roller for VR; profile protectors for support rollers (Alum.).



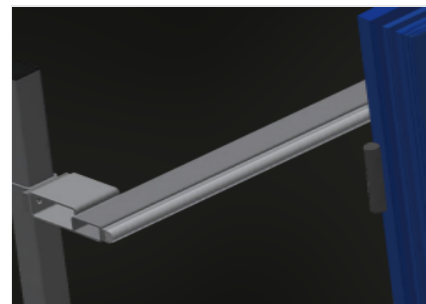
Support rollers

Rollers throughout, roller conveyor divided into three parts (L = 3 x 120 mm)



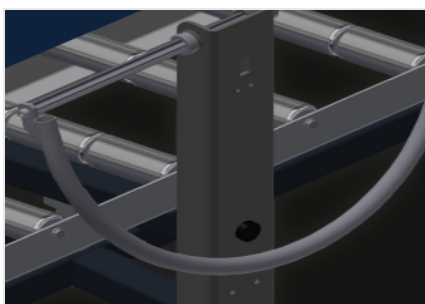
Mini-roller conveyor

Three mini-roller conveyors with rubber rollers, diameter 50 mm



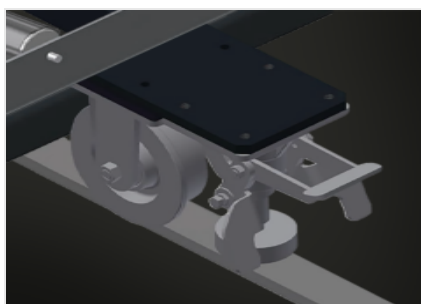
Back support

Rear back support with plastic slide bars, top and bottom



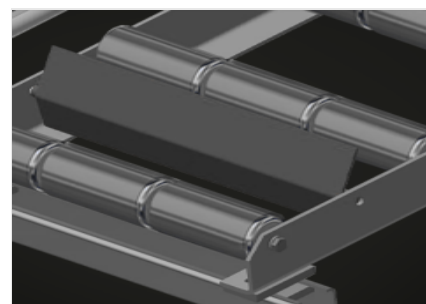
Grip

Grip makes pushing the roller conveyor on the rails easy



Mobility unit

Mobility unit with flanged rollers and fixing brake



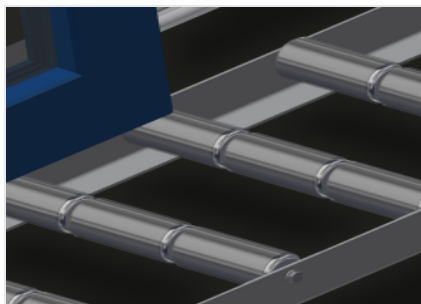
End stop (Optional)

End stop L = 3x120 mm



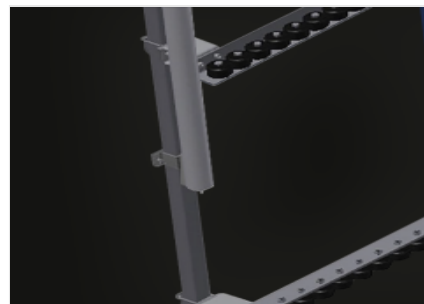
Lead-in rollers (Optional)

Protective rollers for beginning or end of roller conveyor: - L = 500 mm (pair)
- L = 250 mm (pair)



Profile protectors (Optional)

Profile protectors for support rollers 3x120 mm (Alum./33 x and Alum./48 x). Support rollers covered with protective tubing



Additional mini-roller conveyors (Optional)

Additional mini-roller conveyors with rubber rollers top/bottom



Rails (Optional)

Rails, 2.0 m, left and right



VR 3003 DF / VERTICAL ROLLERS CONVEYORS

CHARACTERISTICS

Length (mm)	3.000
Width (mm)	1.000
Height (mm)	2.490
Support roller divided into three parts (mm)	3 x 120
Support height (mm)	2.100
Load capacity (kg)	200
Weight (kg)	200
Mini-roller conveyors with rubber rollers, diameter 50 mm	3
Additional mini-roller conveyors with rubber rollers top/bottom	<input type="radio"/>
Basic unit with end rack	<input checked="" type="radio"/>
Vertical roller conveyor on rails with flanged rollers mobile	<input checked="" type="radio"/>
Roller conveyor can be rotated 360°	<input checked="" type="radio"/>
Lead-in rollers L= 500 mm (pair)	<input type="radio"/>
Lead-in rollers L= 250 mm (pair)	<input type="radio"/>
Profile protectors for L= 3x120 mm	<input type="radio"/>
Rail 2,0 m left and right	<input type="radio"/>
End stop L= 3x120 mm	<input type="radio"/>

Included ● Available ○