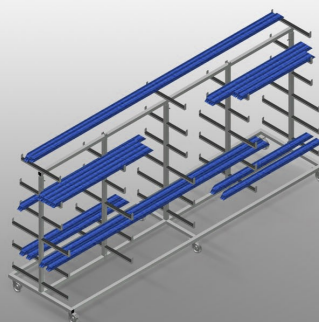


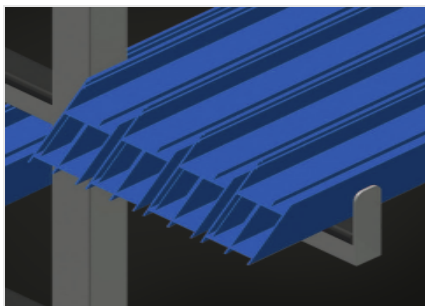


## PWW 4000

Transport and trolleys

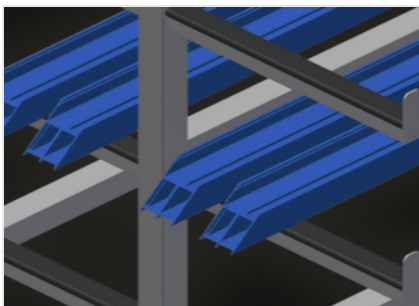


Profile trolley for horizontal storage and transportation of profiles. Stable steel construction. Horizontal profile transportation. Easy transportation of profile raw materials and cut-to-size profiles. Support arms are rubber coated. Profile trolley with profile supports on both sides. Six supports per upright. Three centre uprights. Six swivel castors, two of which with locking stop.



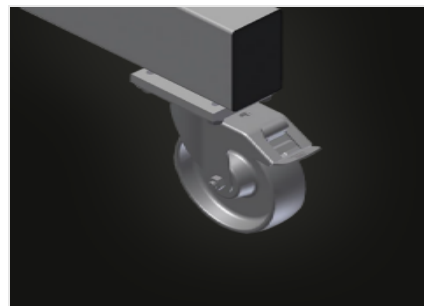
### Easy loading and unloading

Well-organised storage provides quick access



### Support arms

Support arms are rubber coated. Adjustable centre upright



### Casters

Four casters, two of which have a fixing brake, provide a high degree of mobility and easy, safe handling



### Individual centre upright

Additional centre uprights



**PWW 4000 / TRANSPORT AND TROLLEYS**

**DIMENSION AND WEIGHT**

Length (mm)	4.000
Width (mm)	1.000
Height (mm)	1.960
Weight (kg)	130

**STORAGE CAPACITY**

Shelves	11
Clearance (mm)	260
Lower shelf width (mm)	420
Upper shelf width (mm)	300
Load capacity (kg)	500

**CHARACTERISTICS**

Centre upright	3
Swivel castors	6
Swivel castors with locking stop	2
Swivel castors diameter (mm)	125

Included ● Available ○