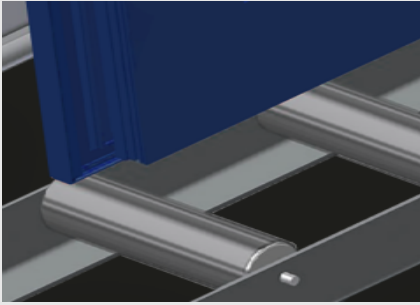


VR 4000 F

Vertical Rollers Conveyors

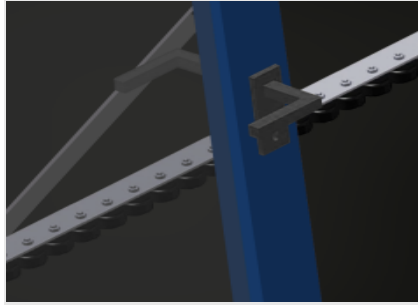


Vertical roller conveyor for transportation and storage of window elements. Stable steel construction. Expandable using modular system design. Vertical roller conveyor for smooth transportation and storage of window elements. Easy handling of window elements. Every roller conveyor unit is 4.000 mm long. Plastic slide bars top and bottom. Three mini-roller conveyors with rubber rollers, diameter 50 mm. Basic unit without end rack. Options: rail, 2.0 m, left and right; end rack; end stop; lead-in roller; profile protectors for support rollers (Alum.).



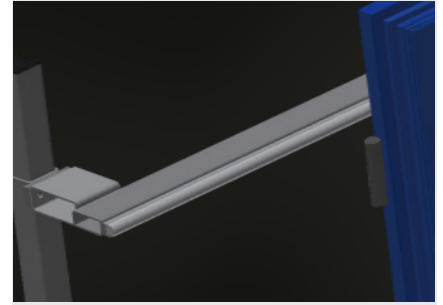
Support rollers

Rollers throughout, support roller width 200 mm



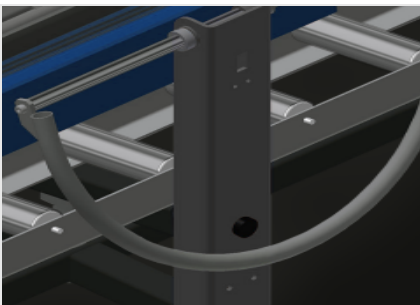
Mini-roller conveyor

Three mini-roller conveyors with rubber rollers, diameter 50 mm



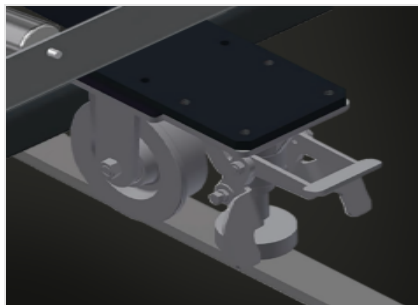
Back support

Rear back support with plastic slide bars, top and bottom



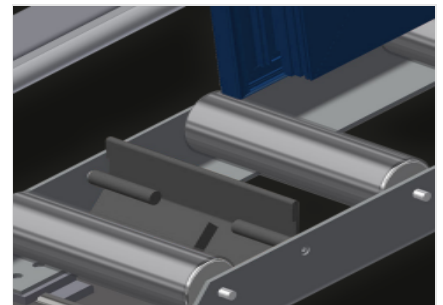
Grip

Grip makes pushing the roller conveyor on the rails easy



Mobility unit

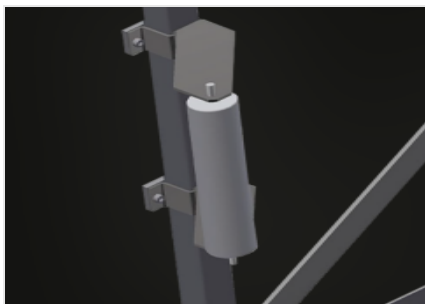
Mobility unit with flanged rollers and fixing brake



End stop (Optional)

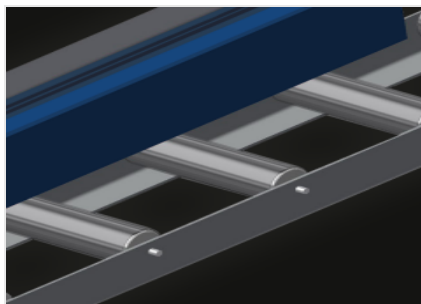
End stop L = 200 mm





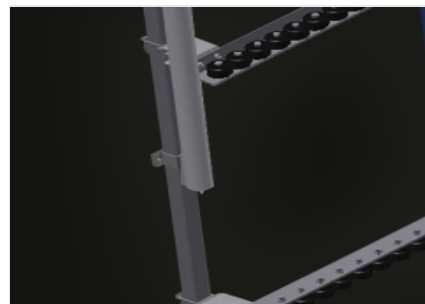
Lead-in rollers (Optional)

Protective rollers for beginning or end of roller conveyor: - L = 500 mm (pair)
- L = 250 mm (pair)



Profile protectors (Optional)

Profile protectors for support rollers 200 mm (Alum./11 x and Alum./16 x). Support rollers covered with protective tubing



Additional mini-roller conveyors (Optional)

Additional mini-roller conveyors with rubber rollers top/bottom



Rails (Optional)

Rails, 2.0 m, left and right



VR 4000 F / VERTICAL ROLLERS CONVEYORS

CHARACTERISTICS

Length (mm)	4.000
Width (mm)	1.000
Height (mm)	2.490
Support roller width (mm)	200
Support height (mm)	2.100
Load capacity (kg)	200
Weight (kg)	200
Mini-roller conveyors with rubber rollers, diameter 50 mm	3
Additional mini-roller conveyors with rubber rollers top/bottom	<input type="radio"/>
Basic unit with end rack	<input checked="" type="radio"/>
Vertical roller conveyor on rails with flanged rollers mobile	<input checked="" type="radio"/>
Lead-in rollers L= 500 mm (pair)	<input type="radio"/>
Lead-in rollers L= 250 mm (pair)	<input type="radio"/>
Profile protectors for L= 200 mm	<input type="radio"/>
Rail 2,0 m left and right	<input type="radio"/>
End stop L= 200 mm	<input type="radio"/>

Included ● Available ○