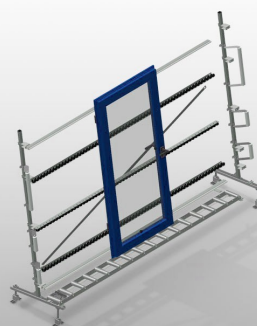
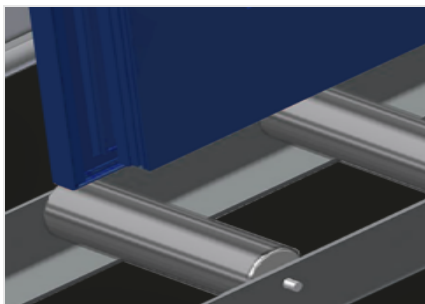


VR 4000

Vertical Rollers Conveyors

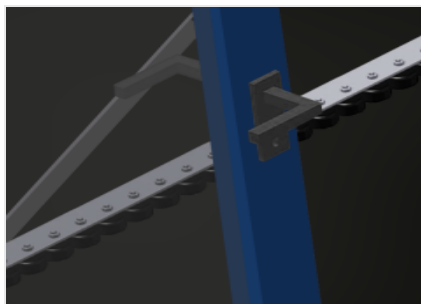


Vertical roller conveyor for transportation and storage of window elements. Stable steel construction. Expandable using modular system design. Vertical roller conveyor for smooth transportation and storage of window elements. Easy handling of window elements. Every roller conveyor unit is 4.000 mm long. Plastic slide bars top and bottom. Three mini-roller conveyors with rubber rollers, diameter 50 mm. Basic unit without end rack. Options: end rack; end stop; lead-in roller; profile protectors for support rollers (Alum.).



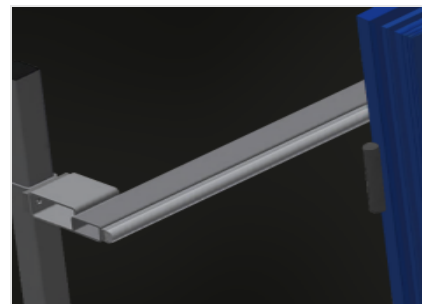
Support rollers

Rollers throughout, support roller width 200 mm



Mini-roller conveyor

Three mini-roller conveyors with rubber rollers, diameter 50 mm



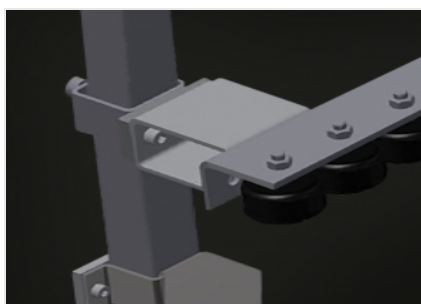
Back support

Rear back support with plastic slide bars, top and bottom



Roller conveyor height adjustment

Lower roller conveyor height can be adjusted by means of adjustable feet



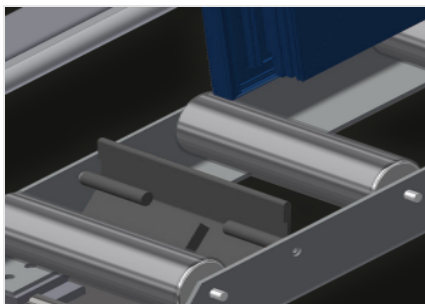
Mini-roller conveyor height adjustment

Mini-roller conveyor height is adjustable



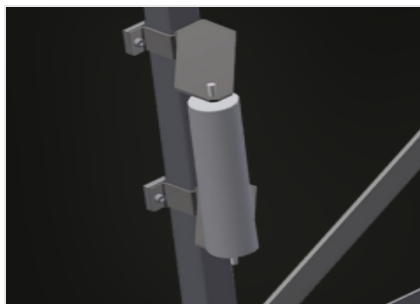
End rack (Optional)

End rack is mandatory at end of line for VR 2000, VR 3000 and VR 4000



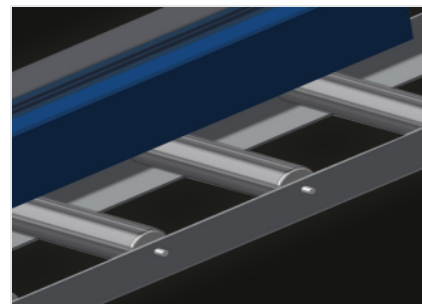
End stop (Optional)

End stop L = 200 mm



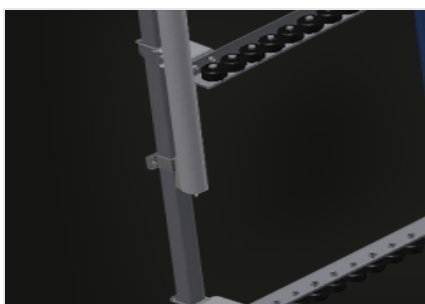
Lead-in rollers (Optional)

Protective rollers for beginning or end of roller conveyor: - L = 500 mm (pair)
- L = 250 mm (pair)



Profile protectors (Optional)

Profile protectors for support rollers 200 mm (Alum./11 x and Alum./16 x). Support rollers covered with protective tubing



Additional mini-roller conveyors (Optional)

Additional mini-roller conveyors with rubber rollers top/bottom



VR 4000 / VERTICAL ROLLERS CONVEYORS

CHARACTERISTICS

Length (mm)	4.000
Width (mm)	900
Height (mm)	2.400
Support roller width (mm)	200
Support height (mm)	2.100
Load capacity (kg)	200
Weight (kg)	200
Mini-roller conveyors with rubber rollers, diameter 50 mm	3
Additional mini-roller conveyors with rubber rollers top/bottom	<input type="radio"/>
Basic unit with end rack	<input checked="" type="radio"/>
End rack	<input type="radio"/>
Lead-in rollers L= 500 mm (pair)	<input type="radio"/>
Lead-in rollers L= 250 mm (pair)	<input type="radio"/>
Profile protectors for L= 200 mm	<input type="radio"/>
End stop L= 200 mm	<input type="radio"/>

Included ● Available ○