



VR 3000 DF

Vertical Rollers Conveyors



Stable steel construction. Vertical roller conveyor for smooth transportation to the next work task as well as for transportation to storage and sorting of the finished windows. Easy handling of window elements. Every roller conveyor unit is 3.000 mm long. Plastic slide bars top and bottom. Three mini-roller conveyors with rubber rollers, diameter 50 mm. Basic unit with end rack. Vertical roller conveyor on rails with flanged rollers, mobile. Roller conveyor can be rotated 360°. Options: rail, 2.0 m, left and right; end stop for VR; lead-in roller for VR; profile protectors for support rollers (Alum.).



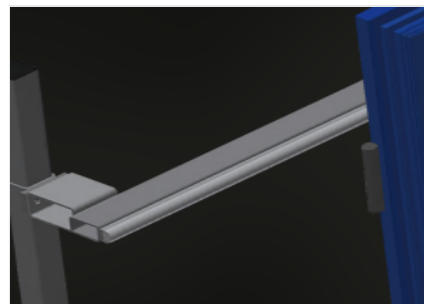
Support rollers

Rollers throughout, support roller width 200 mm



Mini-roller conveyor

Three mini-roller conveyors with rubber rollers, diameter 50 mm



Back support

Rear back support with plastic slide bars, top and bottom



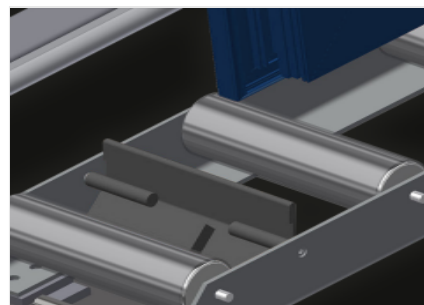
Grip

Grip makes pushing the roller conveyor on the rails easy



Mobility unit

Mobility unit with flanged rollers and fixing brake



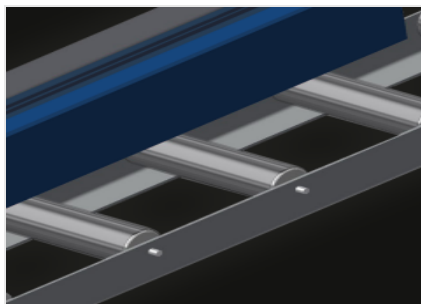
End stop (Optional)

End stop L = 200 mm



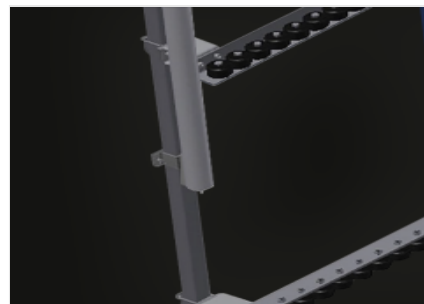
**Lead-in rollers
(Optional)**

Protective rollers for beginning or end
of roller conveyor: - L = 500 mm (pair)
- L = 250 mm (pair)



**Profile protectors
(Optional)**

Profile protectors for support rollers
200 mm (Alum./11 x and Alum./16 x).
Support rollers covered with protective
tubing



**Additional mini-roller
conveyors (Optional)**

Additional mini-roller conveyors with
rubber rollers top/bottom



Rails (Optional)

Rails, 2.0 m, left and right



VR 3000 DF / VERTICAL ROLLERS CONVEYORS

CHARACTERISTICS

Length (mm)	3.000
Width (mm)	1.000
Height (mm)	2.490
Support roller width (mm)	200
Support height (mm)	2.100
Load capacity (kg)	200
Weight (kg)	180
Mini-roller conveyors with rubber rollers, diameter 50 mm	3
Additional mini-roller conveyors with rubber rollers top/bottom	<input type="radio"/>
Basic unit with end rack	<input checked="" type="radio"/>
Vertical roller conveyor on rails with flanged rollers mobile	<input checked="" type="radio"/>
Roller conveyor can be rotated 360°	<input checked="" type="radio"/>
Lead-in rollers L= 500 mm (pair)	<input type="radio"/>
Lead-in rollers L= 250 mm (pair)	<input type="radio"/>
Profile protectors for L= 200 mm	<input type="radio"/>
Rail 2,0 m left and right	<input type="radio"/>
End stop L= 200 mm	<input type="radio"/>

Included ● Available ○