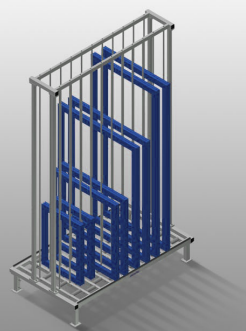


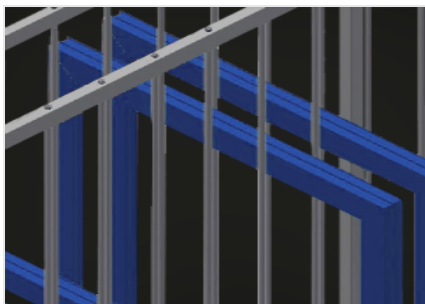


## RFR 10

### Rack systems

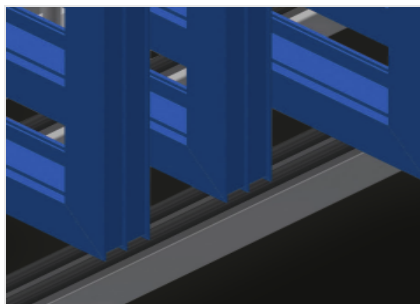


Rack for storage of frame elements. Stable steel construction. Rack for storage of frames. The individual elements are available for direct access. Specially designed for integration in assembly lines. Access is possible from both sides. Floor support equipped with knob profile. Compartment separating bars covered with protective tubing. Optional: rollers and grip for RFR 10/FFR 10.



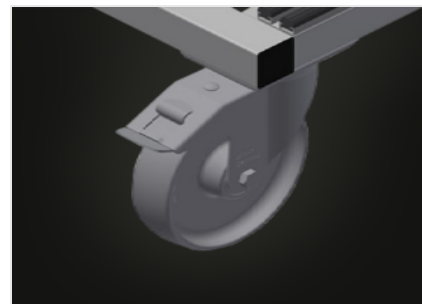
### Compartments

All supporting surfaces have a non-slip PVC cladding which protects surfaces from damage during storage



### Supports

Lower supporting surfaces with knob profile to protect profiles from damage



### Castors, cmpl. (Optional)

Two casters with brake and two fixed rollers provide mobility in all directions, roller diameter 125 mm



CHARACTERISTICS

Length (mm)	1.650
Width (mm)	1.000
Height (mm)	2.965
Compartments	10
Compartment width (mm)	130
Compartment height (mm)	2.600
Weight (kg)	230
Load capacity (kg)	800
Floor support equipped with knob profile	<input checked="" type="checkbox"/>
Compartment separating bars covered with protective tubing	<input checked="" type="checkbox"/>
Rollers and handle	<input type="checkbox"/>

Included  Available