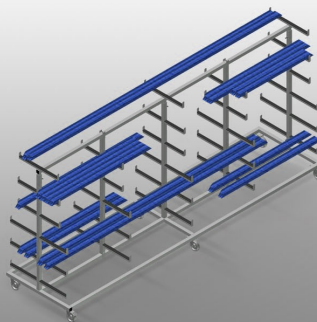


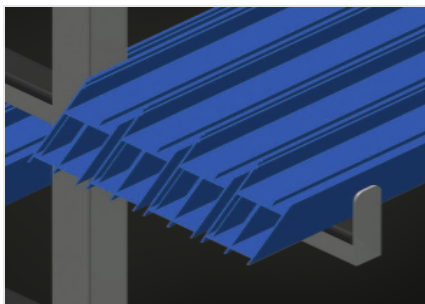


## PWW 4000

Transport and trolleys

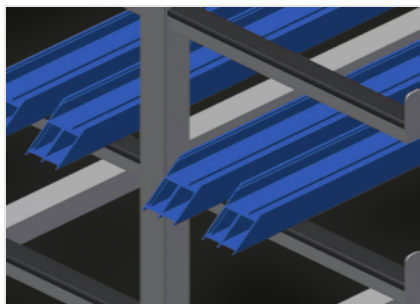


Profile trolley for horizontal storage and transportation of profiles. Stable steel construction. Horizontal profile transportation. Easy transportation of profile raw materials and cut-to-size profiles. Support arms are rubber coated. Profile trolley with profile supports on both sides. Six supports per upright. Three centre uprights. Six castors, two of which have a fixing brake. Option: individual centre upright.



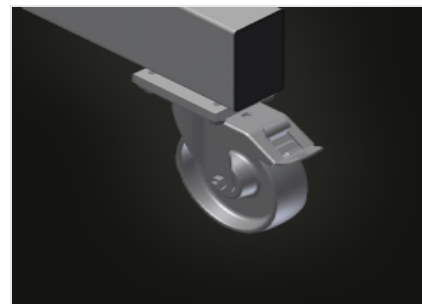
### Easy loading and unloading

Well-organised storage provides quick access



### Support arms

Support arms are rubber coated. Adjustable centre upright



### Castors

Four casters, two of which have a fixing brake, provide a high degree of mobility and easy, safe handling



PWW 4000 / TRANSPORT AND TROLLEYS

CHARACTERISTICS

Length (mm)	4.000
Width (mm)	1.000
Height (mm)	1.960
Shelves	11
Clearance (mm)	260
Lower shelf width (mm)	420
Upper shelf width (mm)	300
Weight (kg)	130
Load capacity (kg)	500
Swivel castors diameter (mm)	125
Swivel castors	6
Swivel castors with locking stop	2
Centre upright	3

Included ● Available ○