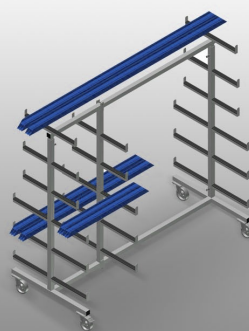




PWW 1000

Transport and trolleys

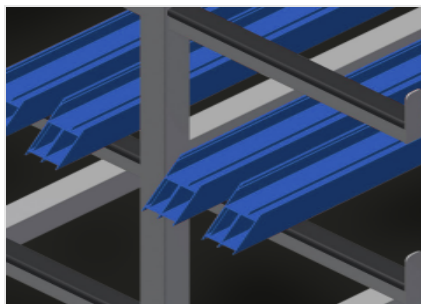


Profile trolley for horizontal storage and transportation of profiles. Stable steel construction. Horizontal profile transportation. Support arms are rubber coated. Profile trolley with profile supports on both sides. Six supports per upright. One centre upright. Four castors, two of which have a fixing brake. Option: individual centre upright.



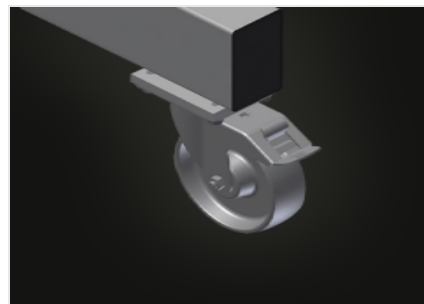
Easy loading and unloading

Well-organised storage provides quick access



Support arms

Support arms are rubber coated. Adjustable centre upright



Casters

Four casters, two of which have a fixing brake, provide a high degree of mobility and easy, safe handling



Individual centre upright (Optional)

Additional centre uprights



CHARACTERISTICS

Length (mm)	1.625
Width (mm)	900
Height (mm)	1.960
Shelves	11
Clearance (mm)	260
Lower shelf width (mm)	420
Upper shelf width (mm)	300
Weight (kg)	60
Load capacity (kg)	350
Swivel castors diameter (mm)	125
Swivel castors	4
Swivel castors with locking stop	2
Centre upright	1
Individual centre upright	0

Included ● Available ○