



## PWS 1400

Transport and trolleys

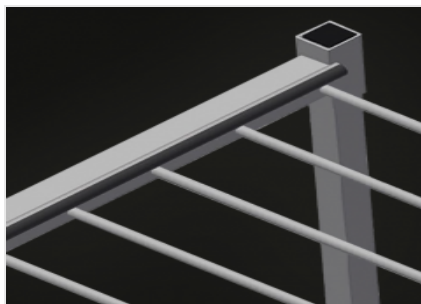


Profile trolley for vertical storage and transportation of aluminium profiles. Stable steel construction. Ideal for transportation and space-saving intermediate storage of cut-to-length profiles. Vertical profile transportation. Sufficient for 30 - 40 profile bars. Compartment divider height is adjustable. Lower supporting surface with rubber strips. Compartment dividers with protective tubing. Rear back support with rubber strips. Four castors, two of which have a fixing brake.



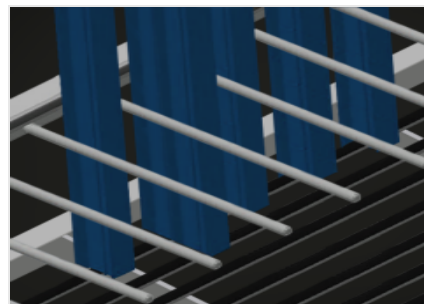
### Compartment divider with plastic protector

Compartment divider height is adjustable. All supporting surfaces have a non-slip PVC cladding which protects surfaces from damage during storage



### Back support with rubber strips

Rear supporting surfaces equipped with rubber strips protect profiles from damage



### Lower supporting surfaces with rubber strips

Lower supporting surfaces equipped with rubber strips to protect the profiles from damage



### Casters

Four casters, two of which have a fixing brake, provide a high degree of mobility and easy, safe handling



PWS 1400 / TRANSPORT AND TROLLEYS

CHARACTERISTICS

Length (mm)	1.440
Width (mm)	790
Height (mm)	1.360
Compartment dividers	2
Compartments	9
Swivel castors diameter (mm)	125
Compartment width (mm)	120
Compartment depth (mm)	540
Support height (mm)	1.150
Weight (kg)	72
Load capacity (kg)	350
Quantity of profile bars	30 - 40
Profile trolley with loading on one side	●
Compartment dividers with protective tubing	●
Lower supporting surface with rubber strips	●
Rear back support with rubber strips	●

Included ● Available ○