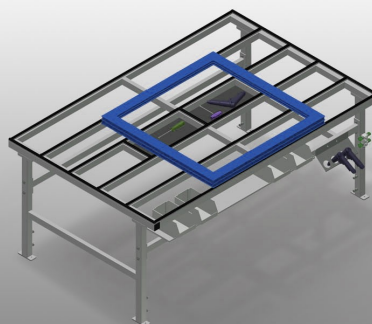




## MT 2000

### Assembly tables

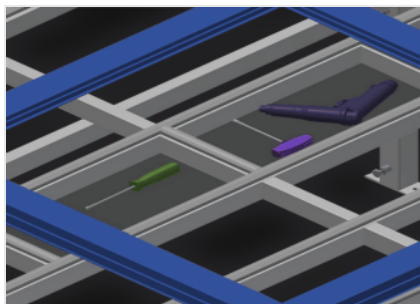


Assembly table for all work tasks on frames and sashes. Stable steel construction. Assembly table for all work tasks on frames and sashes. Table supporting surface with plastic slide bars. Storage tray for setting down tools and accessories. Adjustable height. Practical storage area under the table surface. Four PVC containers for small accessories, hardware and screws. 4-fold compressed air supply. Simple installation with a modular system design. Options: also available with brush strips on request; also available with felt strips on request (for wooden profiles); also available with rubber strips on request (for aluminium profiles); double two-pin grounded socket; tool rack; maintenance unit; castors (cpl.); spiral hose.



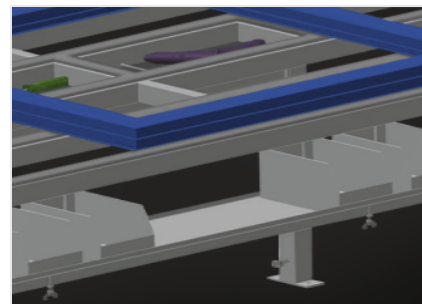
### Supporting surfaces

Supporting surfaces with plastic slide bars



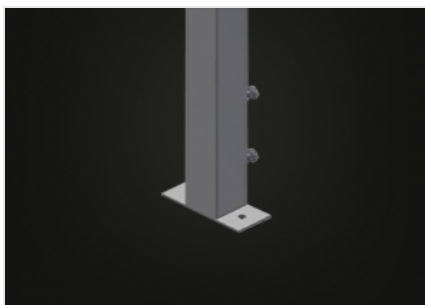
### Storage tray

Storage tray for setting down tools and accessories



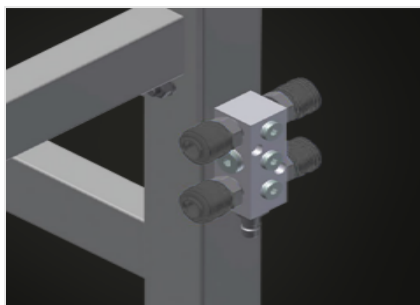
### Storage area

Storage area with four plastic trays for small accessories, hardware and screws



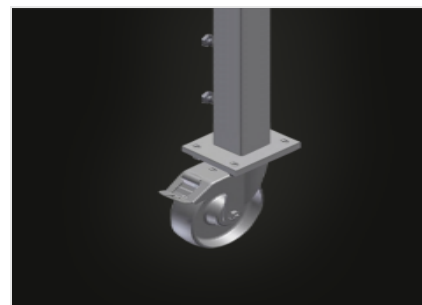
### Height adjustment

Adjustable height; working height can be set to 850 - 1.000 mm by means of adjustable feet



### 4-fold compressed air connection

4-fold compressed air connection for connecting compressed-air tools



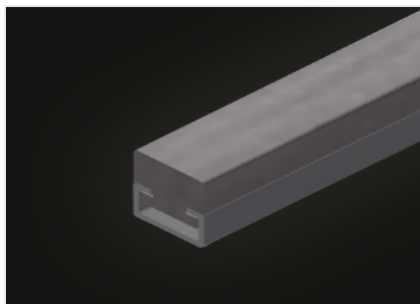
### Castors (Optional)

Mobile unit: two castors with brake and two fixed rollers provide mobility in all directions



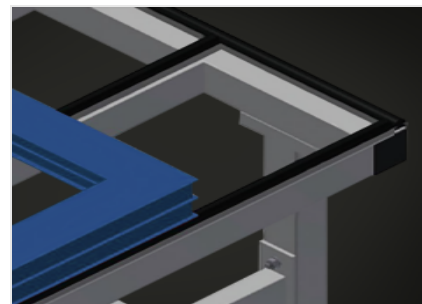
**Brush strip (Optional)**

Supporting surfaces with brush strip



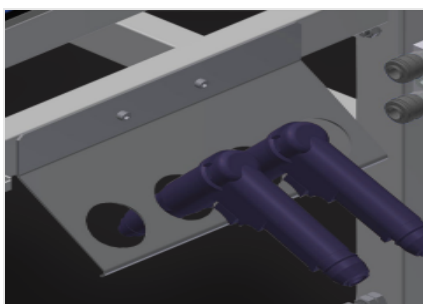
**Felt strip (Optional)**

Supporting surfaces with felt strip



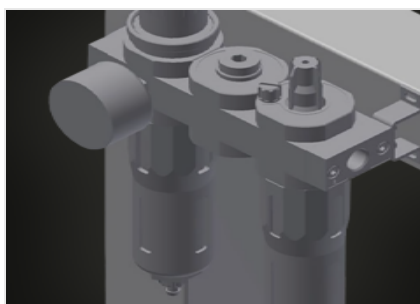
**Rubber strips (Optional)**

Supporting surfaces with rubber-knob profile



**Tool rack (Optional)**

Tool rack for pneumatic or electrical tools



**Maintenance unit (Optional)**

Maintenance unit for compressed-air tools



**Double two-pin grounded socket (Optional)**



MT 2000 / ASSEMBLY TABLES

CHARACTERISTICS

|   |                                  |
|---|----------------------------------|
| Length (mm)   | 2.000                            |
| Width (mm)  | 1.300                            |
| Height (mm)   | 850 ÷ 1.000                      |
| Weight (kg)   | 100                              |
| Adjustable height                                   | <input checked="" type="radio"/> |
| Storage tray for setting down tools and accessories | <input checked="" type="radio"/> |
| Storage area under the table surface                | <input checked="" type="radio"/> |
| PVC containers                                      | 4                                |
| 4-fold compressed air supply                        | <input checked="" type="radio"/> |
| Table brush strip supporting surface                | <input type="radio"/>            |
| Table felt profile strip supporting surface         | <input type="radio"/>            |
| Table rubber knob profile                           | <input type="radio"/>            |
| Castor wheel Stand Alone (2 castors + 2 fixed)      | <input type="radio"/>            |
| Tool holder   | <input type="radio"/>            |
| Service unit 1/4 with 4-fold air connections, Festo | <input type="radio"/>            |
| Double two-pin grounded socket 230V 16A AP          | <input type="radio"/>            |

Included  Available