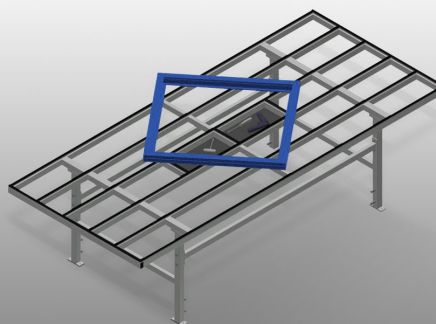


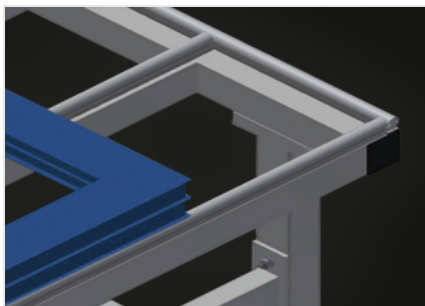


MST 3000

Assembly tables

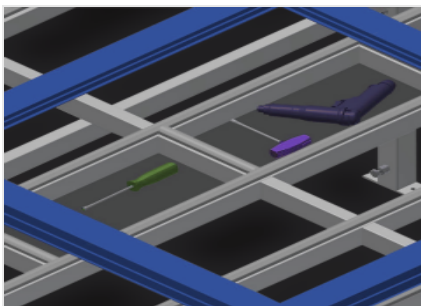


Assembly table expandable for all work tasks on frames and sashes. Stable steel construction. Assembly table for all work tasks on frames and sashes. Horizontal frame transportation. Storage tray for setting down tools and accessories. Adjustable height. Table supporting surface with plastic slide bars. Simple installation with a modular system design. Options: also available with brush strips on request; also available with felt strips on request (for wooden profiles); also available with rubber strips on request (for aluminium profiles); 4-fold compressed air supply.



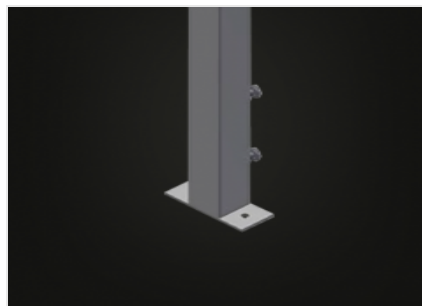
Supporting surfaces

Supporting surfaces with plastic slide bars



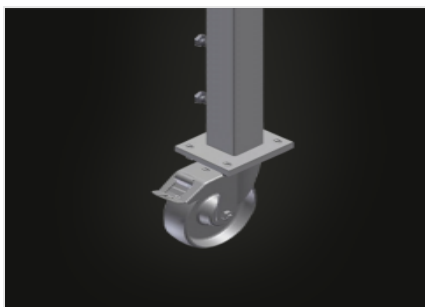
Storage tray

Storage tray for setting down tools and accessories



Height adjustment

Adjustable height; working height can be set to 850 - 1.000 mm by means of adjustable feet



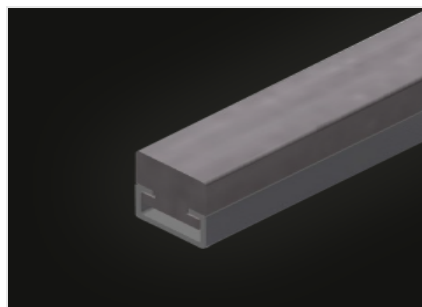
Casters (Optional)

Mobile unit: two casters with brake and two fixed rollers provide mobility in all directions



Brush strip (Optional)

Supporting surfaces with brush strip



Felt strip (Optional)

Supporting surfaces with felt strip



MST 3000 / ASSEMBLY TABLES

CHARACTERISTICS

Length (mm)	3.000
Width (mm)	1.300
Height (mm)	850 ÷ 1.000
Weight (kg)	110
Adjustable height	<input checked="" type="radio"/>
Storage tray for setting down tools and accessories	<input checked="" type="radio"/>
Table brush strip supporting surface	<input type="radio"/>
Table felt profile strip supporting surface	<input type="radio"/>
Table rubber knob profile	<input type="radio"/>
Castor wheel Stand Alone (2 castors + 2 fixed)	<input type="radio"/>
4-fold compressed air supply	<input type="radio"/>

Included ● Available ○