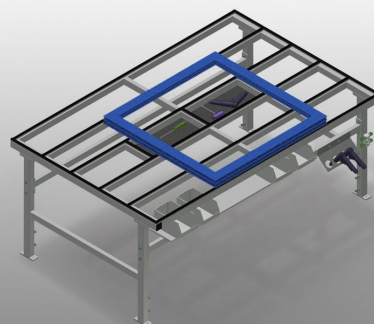


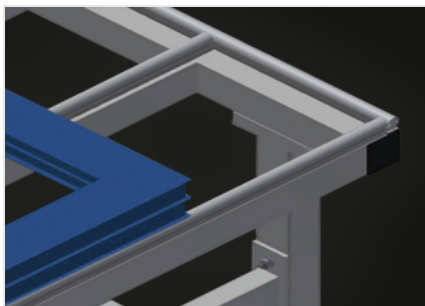


## MST 2000

### Assembly tables

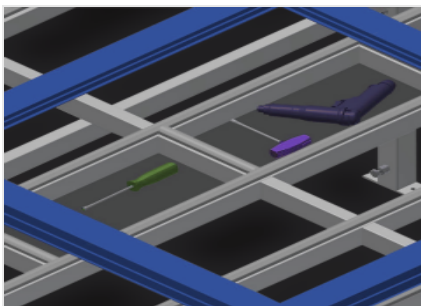


Assembly table expandable for all work tasks on frames and sashes. Stable steel construction. Assembly table for all work tasks on frames and sashes. Horizontal frame transportation. Storage tray for setting down tools and accessories. Adjustable height. Table supporting surface with plastic slide bars. Simple installation with a modular system design. Options: also available with brush strips on request; also available with felt strips on request (for wooden profiles); also available with rubber strips on request (for aluminium profiles); 4-fold compressed air supply.



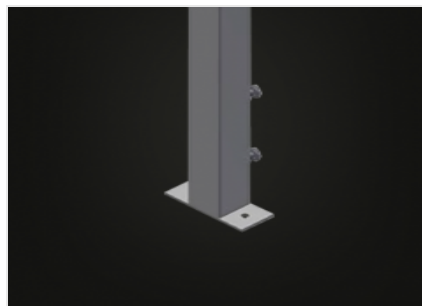
**Supporting surfaces**

Supporting surfaces with plastic slide bars



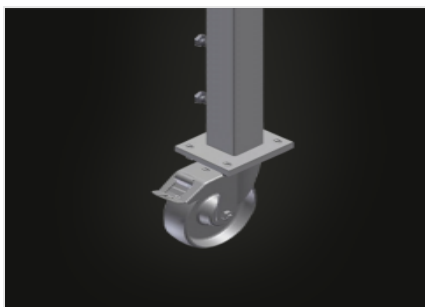
**Storage tray**

Storage tray for setting down tools and accessories



**Height adjustment**

Adjustable height; working height can be set to 850 - 1.000 mm by means of adjustable feet



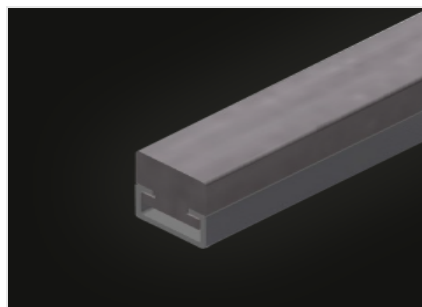
**Casters (Optional)**

Mobile unit: two casters with brake and two fixed rollers provide mobility in all directions



**Brush strip (Optional)**

Supporting surfaces with brush strip



**Felt strip (Optional)**

Supporting surfaces with felt strip



MST 2000 / ASSEMBLY TABLES

CHARACTERISTICS

Length (mm)	2.000
Width (mm)	1.300
Height (mm)	850 ÷ 1.000
Weight (kg)	90
Adjustable height	●
Storage tray for setting down tools and accessories	●
Table brush strip supporting surface	○
Table felt profile strip supporting surface	○
Table rubber knob profile	○
Castor wheel Stand Alone (2 castors + 2 fixed)	○
4-fold compressed air supply	○

Included ● Available ○