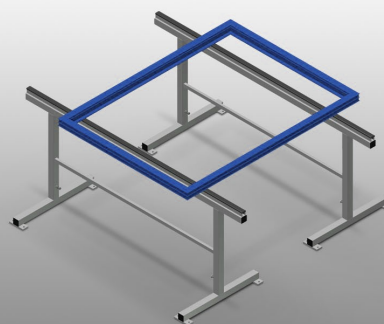




MB

Assembly tables



Assembly stands for working on large window elements. Stable steel construction. Assembly stand 2.0 m long. Simple installation with a modular system design. Rubber profile supporting surface. Set of assembly stands (1 pair). Adjustable height.



Supporting surfaces

Supporting surfaces with rubber profile



Height adjustment

Adjustable height 850 - 1.000 mm



MODELS

MB 2000



DIMENSION AND WEIGHT

Length (mm)	2.000
Width (mm)	700
Height (mm)	850 ÷ 1.000
Weight (kg)	40

SUPPORTING SURFACE

Assembly stand length (m)	2
Set of assembly stands: 1 pair	●
Rubber profile supporting surface	●

Included ● Available ○