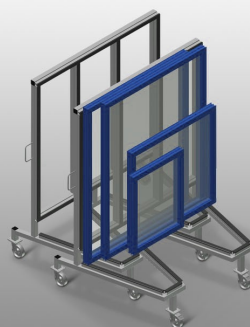


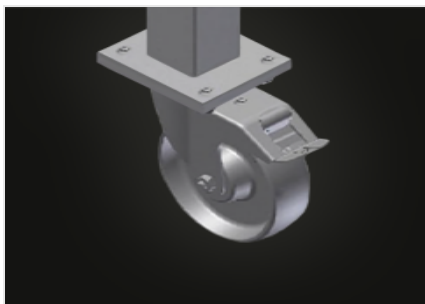


KW 3

Transport and trolleys

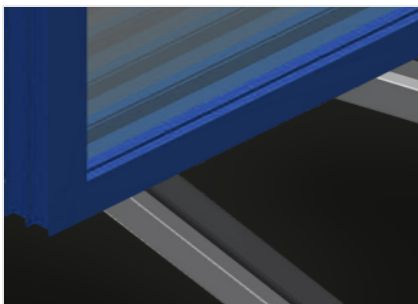


Commissioning trolley for in-house transportation of window elements. Stable steel construction. For in-house transportation. Profile supports with rubber surface. Can be nested when not loaded – a space-saving feature. Four castors, two of which have a fixing brake.



Casters

Four casters, two of which have a fixing brake, provide a high degree of mobility and easy, safe handling



Supports with rubber strip

Supporting surfaces equipped with rubber strips to protect profiles from damage



Transport handles

Transport handle on both sides for mobility



KW 3 / TRANSPORT AND TROLLEYS

CHARACTERISTICS

Length (mm)	1.600
Width (mm)	1.130
Height (mm)	1.960
Weight (kg)	90
Load capacity (kg)	400
Swivel castors diameter (mm)	125
Swivel castors	4
Swivel castors with locking stop	2
Horizontally stackable when not loaded	●

Included ● Available ○