

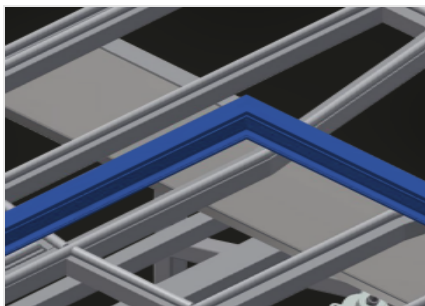


KT 3000

Assembly tables

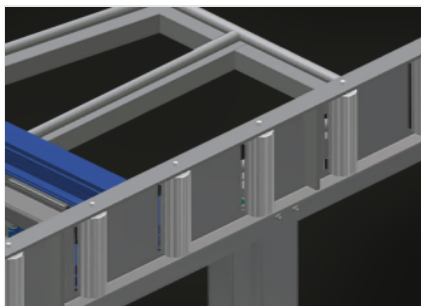


Assembly table for vertical and horizontal assembly. Stable steel construction. Important when switching from vertical to horizontal transportation and vice versa. Ideal for vertical and horizontal assembly. Pneumatic tilting. Table supporting surface with plastic slide bars. Roller support can be lowered pneumatically. 4-fold compressed air supply. Options: also available with brush strips on request; also available with felt strips on request (for wooden profiles); also available with rubber strips on request (for aluminium profiles); pull-out table supporting surface at top for KT/KTH 3000; profile protectors for support rollers; mobility unit for KT/KTH/MS/VE; rail, 2.0 m.



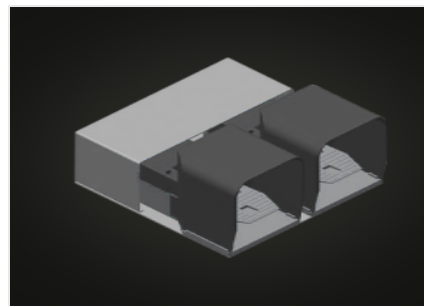
Supporting surfaces

Supporting surfaces with plastic slide bars



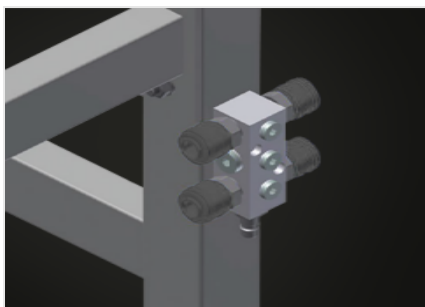
Roller support

Roller conveyor can be lowered pneumatically to allow unhindered working in horizontal position; in vertical position, trouble-free onward transport is possible



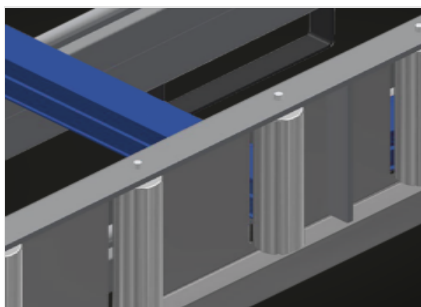
Foot switch

Control via foot valve. Pneumatic horizontal/vertical tilting



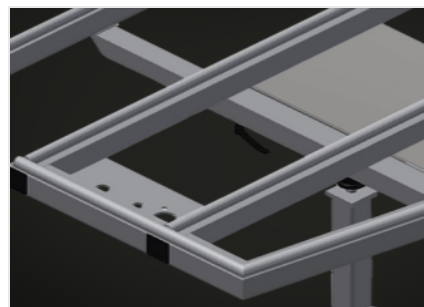
4-fold compressed air connection

4-fold compressed air connection for connecting compressed-air tools



Profile protectors for support rollers (Optional)

Profile protectors for support rollers 200 mm (Alum./16 x and Alum./21 x). Roller conveyor with protective tubing over the rollers to protect the window element during infeed and outfeed



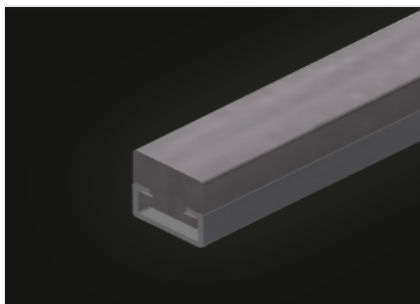
Pull-out profile support (Optional)

Pull-out table support at top for KT/KTH 3000 and KT/KTH 4000. The table support can be pulled out 500 mm at the top for high frames



Brush strip (Optional)

Supporting surfaces with brush strip



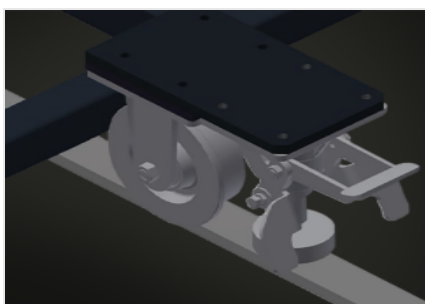
Felt strip (Optional)

Supporting surfaces with felt strip



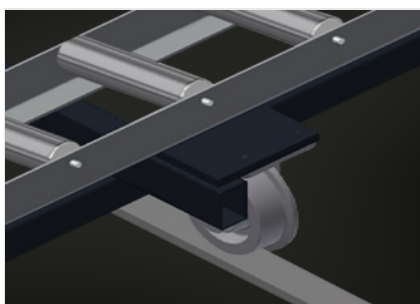
Rubber strips (Optional)

Supporting surfaces with rubber-knob profile



Mobility unit (Optional)

Mobility unit for KT/KTH/MS/VE.
Mobility unit with flanged rollers and fixing brake



Rails (Optional)

Rails, 2.0 m, left and right





KT 3000 / ASSEMBLY TABLES

CHARACTERISTICS

Length (mm)	3.000
Width (mm)	1.820
Vertical height (mm)	1.900
Pneumatic height adjustment (mm)	500
Roller conveyor width (mm)	200
Weight (kg)	330
Load capacity (kg)	200
4-fold compressed air supply	●
Operating air pressure (bar)	7
Air consumption approx. (l/min.)	35
Pneumatic tilting	●
Extendable table support	○
Mobility unit	○
Rail 2,0 m left and right	○
Table brush strip supporting surface	○
Table felt profile strip supporting surface	○
Table rubber knob profile	○
Profile protectors for support rollers	○

Included ● Available ○