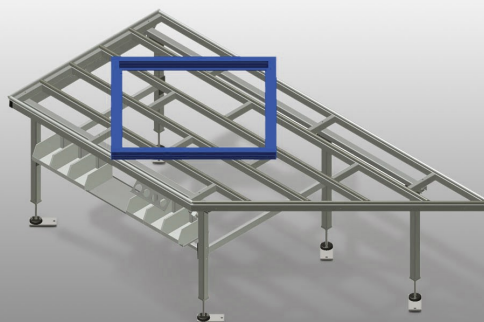
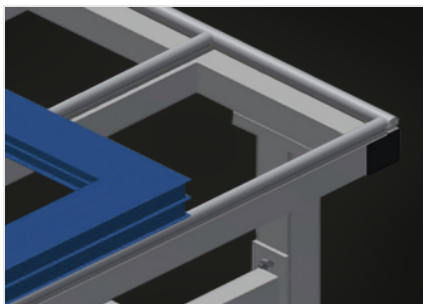


## HT 2045 L

### Assembly tables

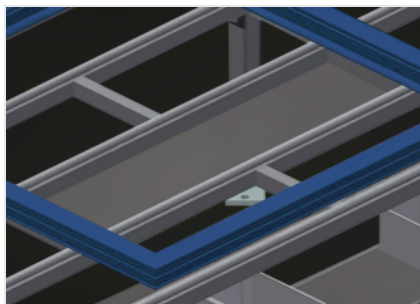


Horizontal table for all work tasks on frames and sashes. Stable steel construction. Angled work table; can be used as a pass-through in the production line or as a buffer zone. Assembly table for all work tasks on frames and sashes. Table supporting surface with plastic slide bars. Storage tray for setting down tools and accessories. Adjustable height. Simple installation with a modular system design.



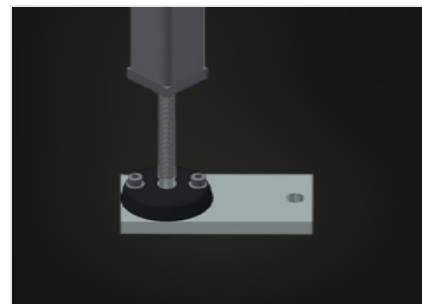
**Supporting surfaces**

Supporting surfaces with plastic slide bars



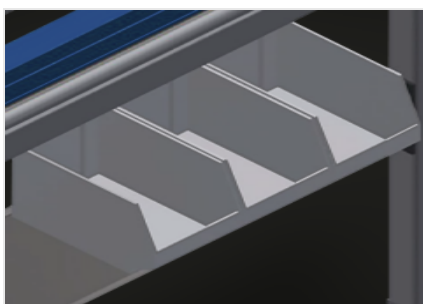
**Storage tray**

Storage tray for setting down tools and accessories



**Height adjustment**

Adjustable height; working height can be set to 850 - 1,000 mm by means of adjustable feet



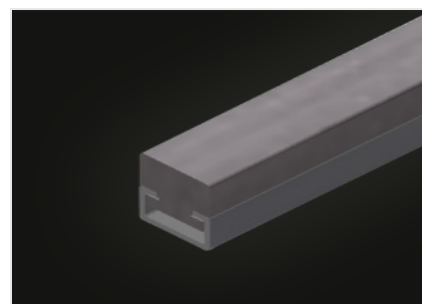
**Storage area (Optional)**

Storage area with 6 plastic trays for small accessories, hardware and screws



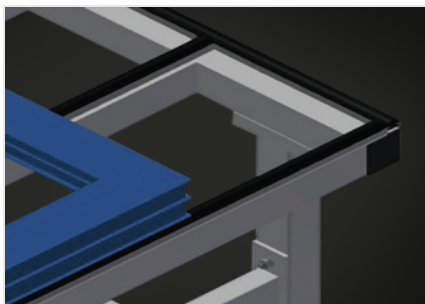
**Brush strip (Optional)**

Supporting surfaces with brush strip



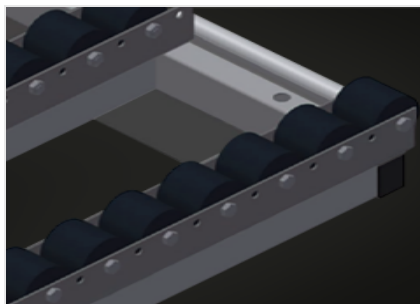
**Felt strip (Optional)**

Supporting surfaces with felt strip



**Rubber strips  
(Optional)**

Supporting surfaces with rubber-knob profile



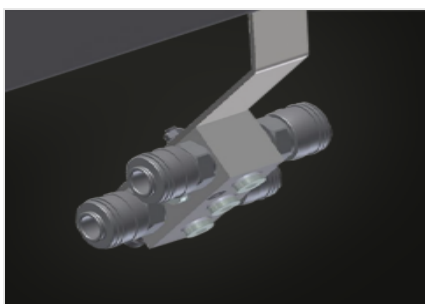
**Roller support compl.  
(Optional)**

Hard plastic rollers with polyamide coating, on plain bearings, load per roller 60 kg, convenient for transport and handling of PVC elements



**Tool rack (Optional)**

Tool rack for pneumatic or electrical tools



**4-fold compressed air  
connection (Optional)**

4-fold compressed air connection for connecting compressed-air tools



HT 2045 L / ASSEMBLY TABLES

CHARACTERISTICS

Length (mm)	2.850
Width (mm)	1.300
Height (mm)	850 ÷ 1.000
Weight (kg)	100
Adjustable height	●
Storage tray for setting down tools and accessories	●
Table supporting surface with plastic slide bars	●
Table brush strip supporting surface	○
Table felt profile strip supporting surface	○
Table rubber knob profile	○
Roller support	○
Tool holder	○
4-fold compressed air supply	○
Storage tray	○

Included ● Available ○