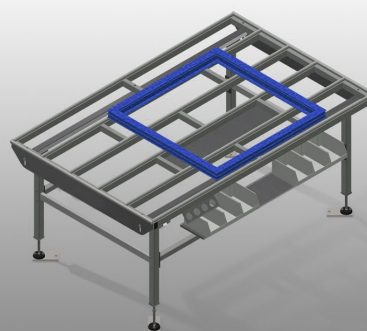




## HT 2000

### Assembly tables



Horizontal table for all work tasks on frames and sashes. Stable steel construction. Table supporting surface with plastic slide bars. Storage tray for setting down tools and accessories. Adjustable height. Simple installation with a modular system design. Options: also available with brush strips on request; also available with felt strips on request (for wooden elements); also available with rubber strips on request (for aluminium elements); roller support; tool rack; 4-fold compressed air supply; storage area with six plastic trays.



**Supporting surfaces**

Supporting surfaces with plastic slide bars



**Storage tray**

Storage tray for setting down tools and accessories



**Height adjustment**

Adjustable height; working height can be set to 850 - 1,000 mm by means of adjustable feet



**Storage area (Optional)**

Storage area with 6 plastic trays for small accessories, hardware and screws



**Brush strip (Optional)**

Supporting surfaces with brush strip



**Felt strip (Optional)**

Supporting surfaces with felt strip



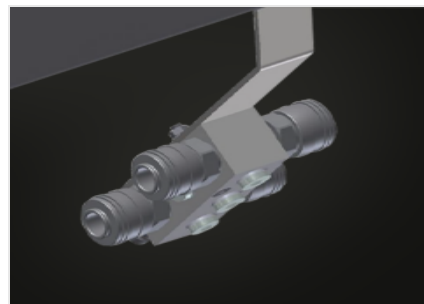
**Rubber strips  
(Optional)**

Supporting surfaces with rubber-knob profile



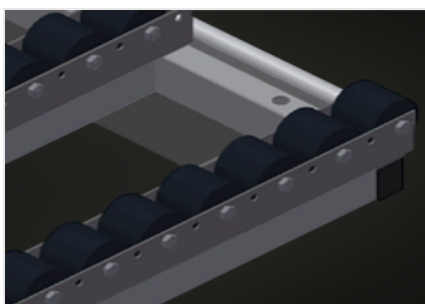
**Tool rack (Optional)**

Tool rack for pneumatic or electrical tools



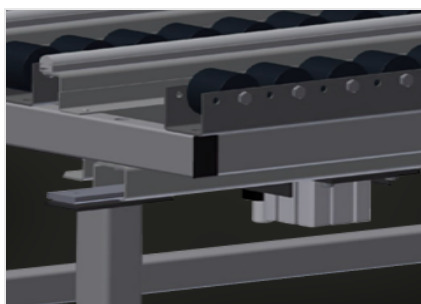
**4-fold compressed air  
connection (Optional)**

4-fold compressed air connection for connecting compressed-air tools



**Roller support compl.  
(Optional)**

Hard plastic rollers with polyamide coating, on plain bearings, load per roller 60 kg, convenient for transport and handling of PVC elements



**Pneumatic lifting unit  
(Optional)**

Lifting unit L = 2.000 mm



HT 2000 / ASSEMBLY TABLES

CHARACTERISTICS

Length (mm)	2.000
Width (mm)	1.300
Height (mm)	850 ÷ 1.000
Weight (kg)	90
Storage tray for setting down tools and accessories	●
Adjustable height	●
Table supporting surface with plastic slide bars	●
Table brush strip supporting surface	○
Table felt profile strip supporting surface	○
Table rubber knob profile	○
Roller support	○
Tool holder	○
4-fold compressed air supply	○
Storage tray	○
Lifting unit	○

Included ● Available ○