

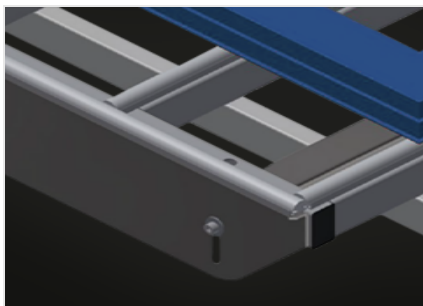


HT 1000

Assembly tables

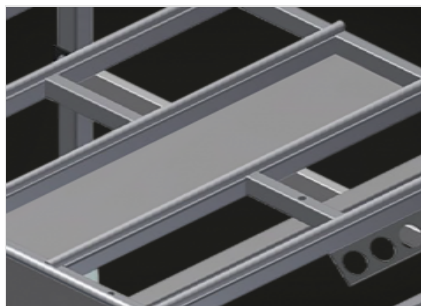


Horizontal table for all work tasks on frames and sashes. Stable steel construction. Table supporting surface with plastic slide bars. Storage tray for setting down tools and accessories. Adjustable height. Simple installation with a modular system design. Options: also available with brush strips on request; also available with felt strips on request (for wooden elements); also available with rubber strips on request (for aluminium elements); roller support; tool rack; 4-fold compressed air supply.



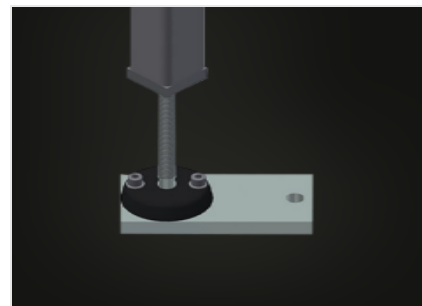
Supporting surfaces

Supporting surfaces with plastic slide bars



Storage tray

Storage tray for setting down tools and accessories



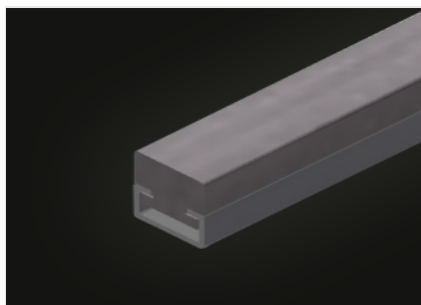
Height adjustment

Adjustable height; working height can be set to 850 - 1,000 mm by means of adjustable feet



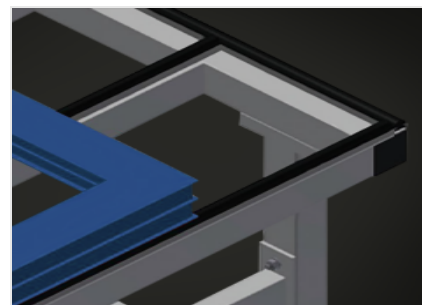
Brush strip (Optional)

Supporting surfaces with brush strip



Felt strip (Optional)

Supporting surfaces with felt strip



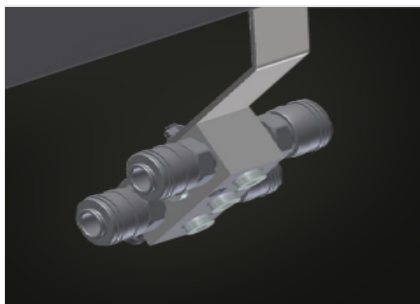
Rubber strips (Optional)

Supporting surfaces with rubber-knob profile



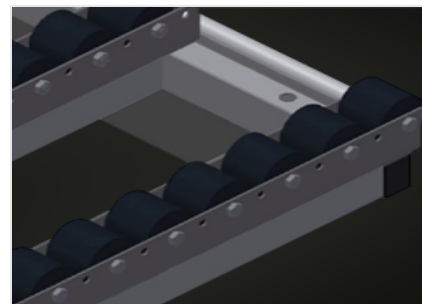
Tool rack (Optional)

Tool rack for pneumatic or electrical tools



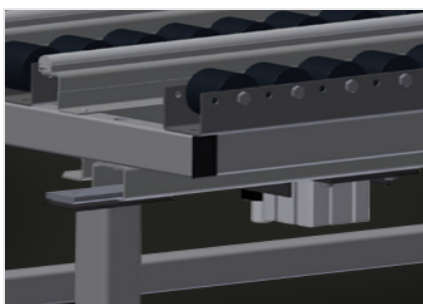
4-fold compressed air connection (Optional)

4-fold compressed air connection for connecting compressed-air tools



Roller support compl. (Optional)

Hard plastic rollers with polyamide coating, on plain bearings, load per roller 60 kg, convenient for transport and handling of PVC elements



Pneumatic lifting unit (Optional)

Lifting unit L = 1.000 mm



HT 1000 / ASSEMBLY TABLES

CHARACTERISTICS

Length (mm)	1.000
Width (mm)	1.300
Height (mm)	850 ÷ 1.000
Weight (kg)	70
Storage tray for setting down tools and accessories	●
Table supporting surface with plastic slide bars	●
Table brush strip supporting surface	○
Table felt profile strip supporting surface	○
Table rubber knob profile	○
Roller support	○
Tool holder	○
4-fold compressed air supply	○
Lifting unit	○

Included ● Available ○