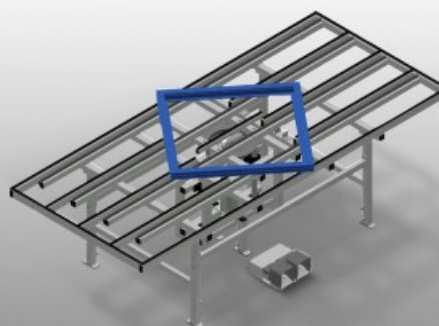


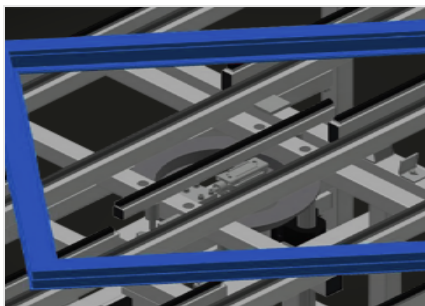


## HD 3000

Assembly tables

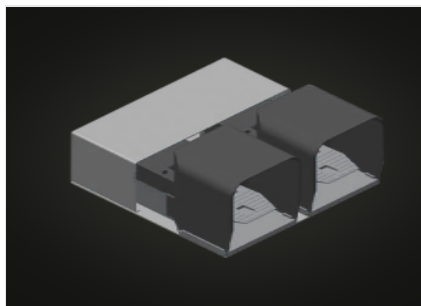


Lift and turn table for assembly and gasket insertion. Stable steel construction. Ideal for assembly and gasket insertion. Adjustable height. Inner table height pneumatically adjustable. Inner table can be rotated; with pneumatic fixing brake. Inner table equipped with rubber strips. Outer table with plastic slide bars. 4-fold compressed air supply. Option: outer table also available with rubber profiles on request (for aluminium profiles).



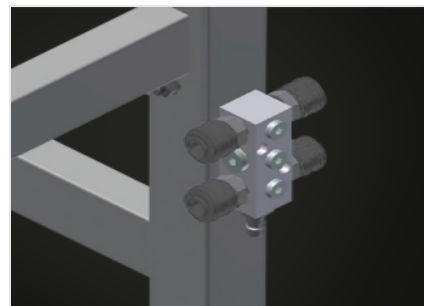
### Lift and turn mechanism

Practical for hardware assembly as well as for final assembly and gasket insertion. Inner table height pneumatically adjustable. Inner table can be rotated; with pneumatic fixing brake



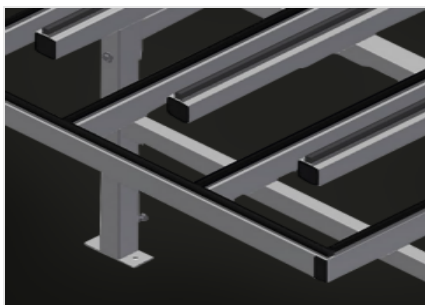
### Foot switch

Control via foot valve



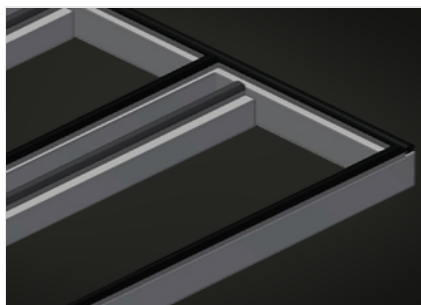
### 4-fold compressed air connection

4-fold compressed air connection for connecting compressed-air tools



### Supporting surfaces

Outer table with plastic slide bars.  
Inner table equipped with rubber strips



### Outer table with rubber strips (Optional)

Outer table rubber-knob profile for HD 3000. Outer table also available with rubber strips on request



HD 3000 / ASSEMBLY TABLES

CHARACTERISTICS

Length (mm)	3.000
Width (mm)	1.300
Weight (kg)	240
Load capacity (kg)	200
Adjustable height (mm)	850 ÷ 1.000
Operating air pressure (bar)	7
Travel of pneumatic inner table (mm)	150
Air consumption approx. (l/min.)	35
Outer table surface with rubber strips	<input type="radio"/>

Included ● Available ○