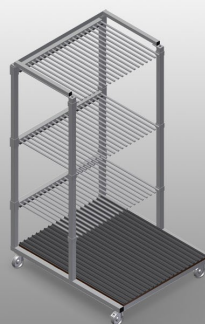


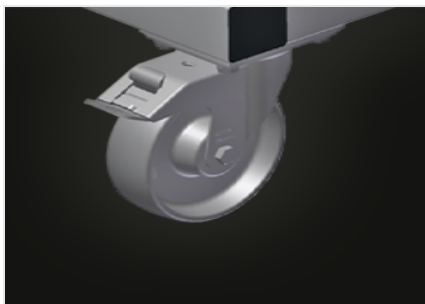


## *GFW 1200*

Transport and trolleys



Stable steel construction. Ideal for sorting glass. Hardwood supporting surface with felt. Compartment dividers for 20 sheets of glass. Compartment dividers height is adjustable. Four castors, two of which have a fixing brake.



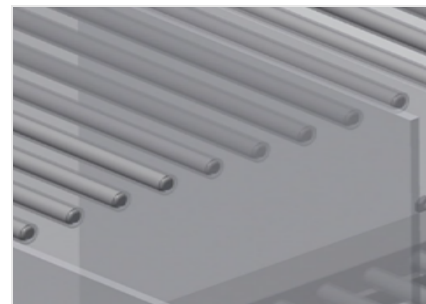
### Casters

Four casters, two of which have a fixing brake, provide a high degree of mobility and easy, safe handling



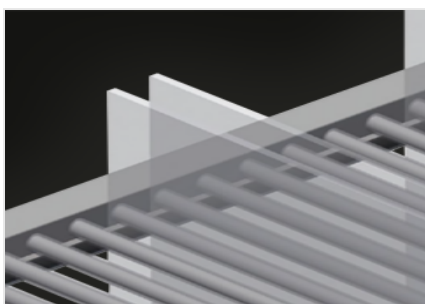
### Compartment divider with plastic protection

Compartment divider height is adjustable. All supporting surfaces have a non-slip PVC cladding which protects sheets of glass from damage during storage



### Easy loading and unloading

Well-organised storage provides quick access



### Back support with rubber strips

Rear supporting surfaces equipped with rubber strips protect sheets of glass from damage



### Bottom supporting surface of wood with felt

Lower supporting surface covered with felt. Additional plastic strips on the floor



CHARACTERISTICS

Length (mm)	1.400
Height (mm)	2.270
Compartments	20
Clearance (mm)	30
Weight (kg)	210
Load capacity (kg)	800
Swivel castors diameter (mm)	125
Swivel castors	4
Swivel castors with locking stop	2

Included ● Available ○