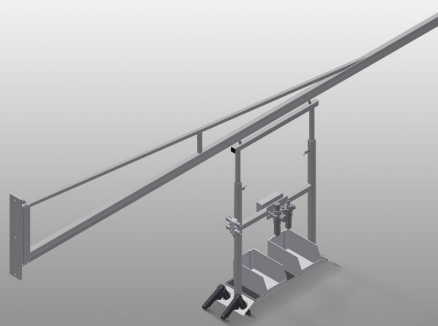


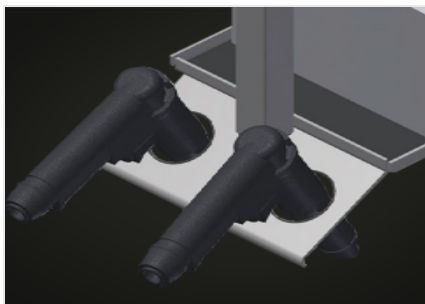


G 3000/4000

Assembly tables

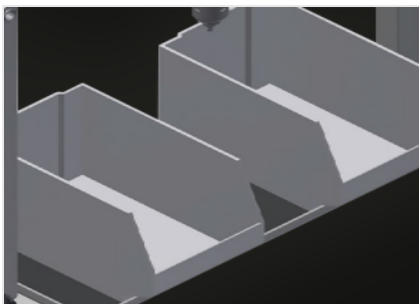


Equipment holder for compressed-air and electric equipment. Attach to the wall or a steel column. Moveable storage device for tools and compressed-air equipment for improved working conditions. No air hoses on the floor. Tool rack with height adjustment. Supplied with two spiral hoses as standard (without tools). With maintenance unit and air connection hose. Double two-pin grounded socket. 4-fold compressed air supply. Accessories: can be attached to S 3000 steel column if desired.



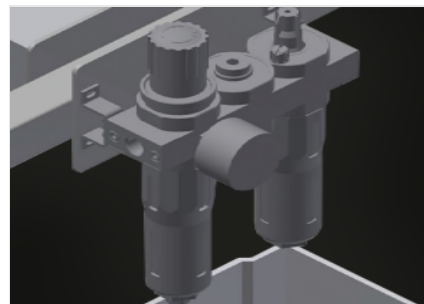
Tool rack

Tool rack for pneumatic or electrical tools



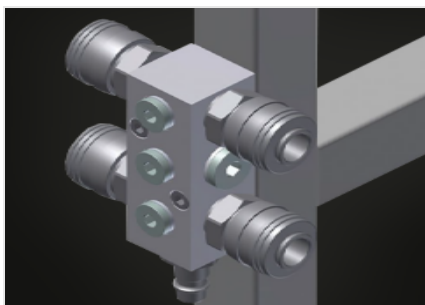
Storage area

Practical storage area with two plastic trays for small accessories such as hardware and screws



Maintenance unit

Maintenance unit for compressed-air tools



4-fold compressed air connection

4-fold connection for compressed-air tools



Double two-pin grounded socket





G 3000/4000 / ASSEMBLY TABLES

CHARACTERISTICS

Arm length (mm)	3.000 - 4.000
Load capacity (kg)	160 - 120
Spiral hoses as standard (without tools)	2
Maintenance unit and air connection hose	●
Double two-pin grounded socket	●
4-fold compressed air supply	●
Steel holder for fastening to the floor	○

Included ● Available ○