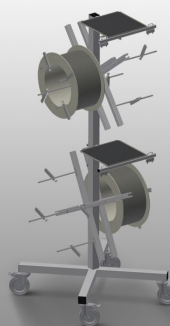
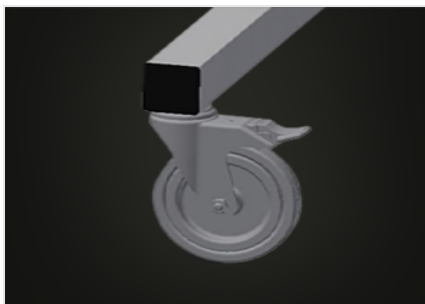


**DW 4**

Transport and trolleys

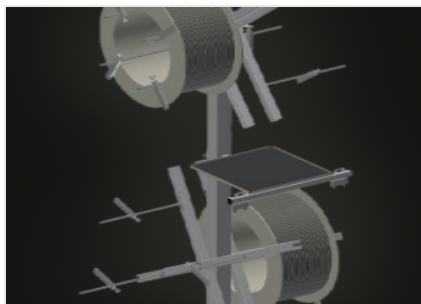


Gasket trolley for gasket reels. Stable steel construction. Four reel mounts. Indispensable for gasket insertion. Adjustable for any reel diameter. Tool tray. Four castors, two of which have a fixing brake.



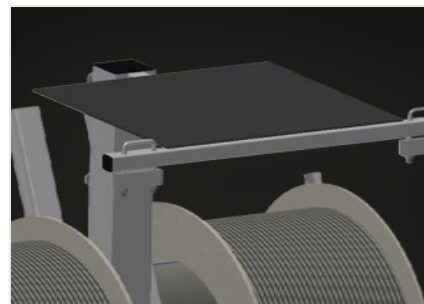
### Casters

Four casters, two of which have a fixing brake, provide a high degree of mobility and easy, safe handling



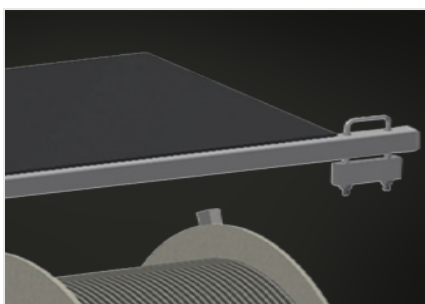
### Reel mounts

For four gasket reels. Mounts adjustable for any reel size



### Storage area for tools

Practical tool tray located at working height



### Unwinding brake

Unwinding brake for each reel



DW 4 / TRANSPORT AND TROLLEYS

CHARACTERISTICS

Length (mm)	700
Width (mm)	700
Height (mm)	1.870
Reel holder	4
Maximum reel diameter (mm)	750
Maximum reel width (mm)	250
Weight (kg)	40
Swivel castors diameter (mm)	125
Swivel castors	4
Swivel castors with locking stop	2

Included ● Available ○