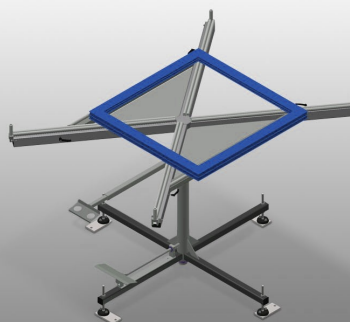
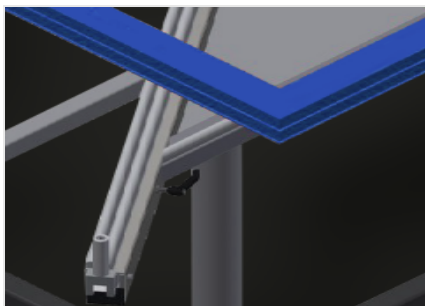


DT 1000

Assembly tables

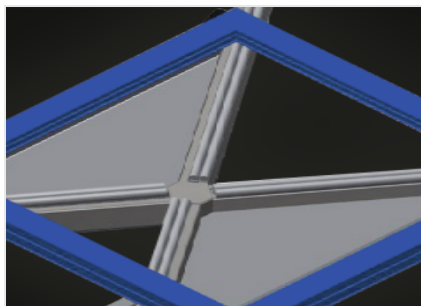


Rotating table for all work tasks on frames and sashes. Stable steel construction. Rotating work table. Versatile work table for all applications, e.g. for assembly tasks, as a work table for gasket insertion, for the post-processing of special-order production items, for hardware assembly as well as for final assembly. Four continuously adjustable pull-out support arms. Support arms are rubber coated. Table surface can be rotated 360° and locked using pedal. With practical storage tray and practical tool tray. Option: also available with felt surfaces on request (for wooden profiles).



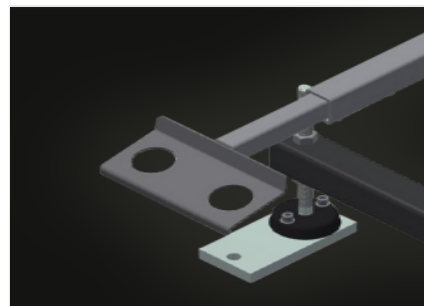
Supporting surfaces

Support arms are rubber coated



Storage area

Practical storage for small accessories, hardware and screws



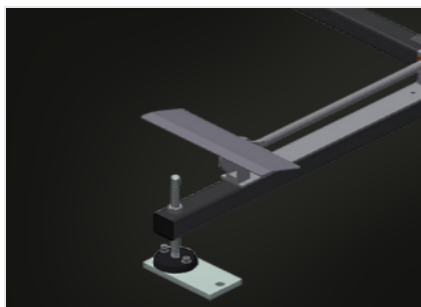
Tool rack

Tool rack for pneumatic or electrical tools



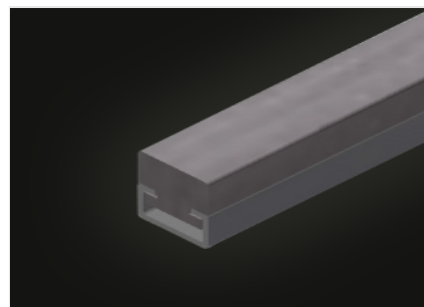
Support arms

Four pivoting and continuously adjustable pull-out support arms



Pedal brake

Table surface can be rotated 360°, foot brake for locking the rotation



Felt surface (Optional)

Felt strip



DT 1000 / ASSEMBLY TABLES

CHARACTERISTICS

Length (mm)	700 ÷ 1.000
Height (mm)	900
Weight (kg)	110
Storage tray for setting down tools and accessories	●
Rubber coated support arms	●
Felt surface	○

Included ● Available ○