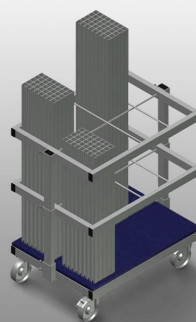


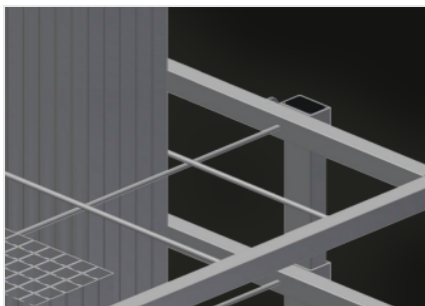


AW 800

Transport and trolleys

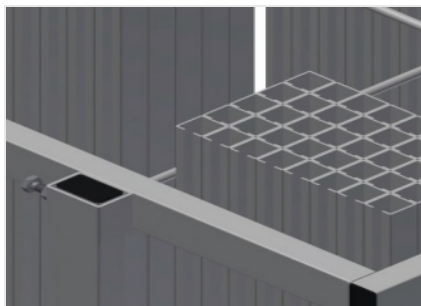


Trolley for transporting and providing a sorted selection of cut-to-length reinforcement profiles. Stable steel construction. Vertical storage and transportation of steel profiles. Compact outside dimensions. Well-organised arrangement of fixed-length profiles. Four castors, two of which have a fixing brake.



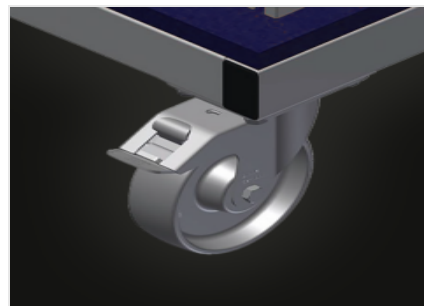
Compartments

Six compartments, compartment size 190 x 265 mm



Grid frame

Two grid frames with height adjustment



Casters

Four casters, two of which have a fixing brake, provide a high degree of mobility and easy, safe handling



AW 800 / TRANSPORT AND TROLLEYS

CHARACTERISTICS

Length (mm)	800
Width (mm)	600
Height (mm)	960
Compartments	6
Weight (kg)	35
Load capacity (kg)	400
Swivel castors diameter (mm)	125
Swivel castors	4
Swivel castors with locking stop	2

Included ● Available ○